

Automatic doors



The glazed automatic sliding and swing doors are ideally suited for commercial and retail applications. Due to the Discrimination & Disability act 1995 these doors are also widely used in the public sector such as schools and libraries etc...

Door/Frame construction

Generally constructed of commercial quality agricultural aluminium profiles with optional midrails.

Glazing

Single glazed 6.4mm laminated glass (anti glare film optional) or double glazed 'K' glass to conform with doc 'L' of current building regulation (dependant on application).

Security

Adams rite hook beak lock, key operated both sides with europrofile cylinder.

Safety Options	Activation
Hinged Pocket Screens	Radar
Safety barriers	Push Pad
Threshold Safety Scan	Photobeam
Midrail Safety Scan	Floor mat
Side Screen Safety Scan	Keypad
Twin Photocell as Standard	Swipe card

Emergency Devices

Flyopen
Breakout

In the event of power failure the doors can be manually operated or operated via battery back up (optional).

Other products

As well as the autoslide and autoswing, bi-folding and telescopic doors are available.



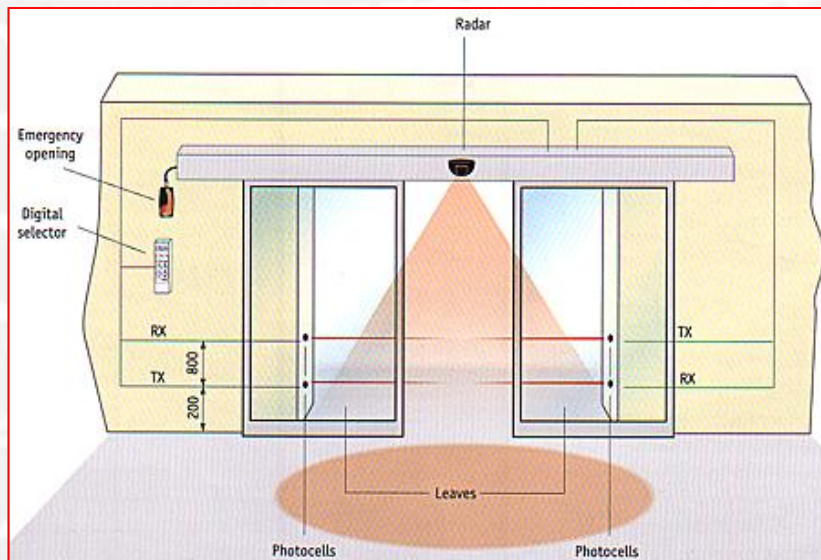
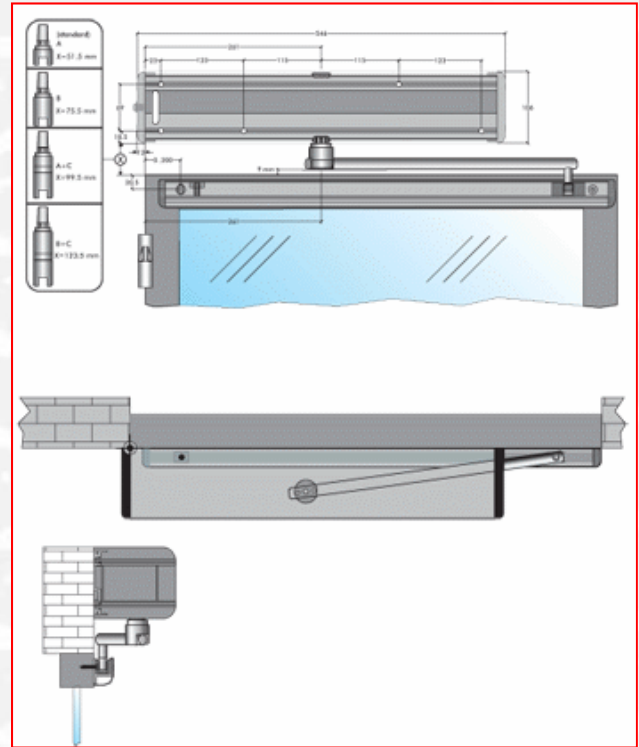
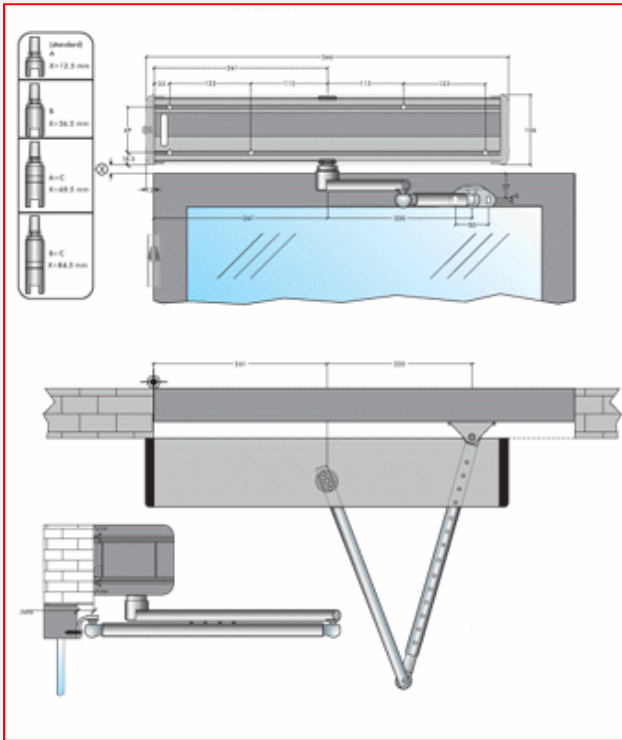
BI-FOLD ROLFE LTD
Industrial Door Specialist

UNIT 4, CALCOT MOUNT, CALCOT LANE, CURDRIDGE, HAMPSHIRE SO32 2BN
Tel: (01489) 780099 Fax: (01489) 780090
E-Mail: sales@bifoldrolfe.com www.bifoldrolfe.com

Other Services

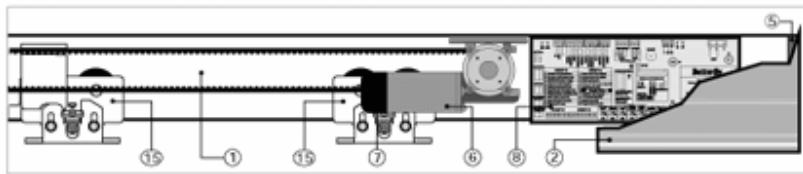
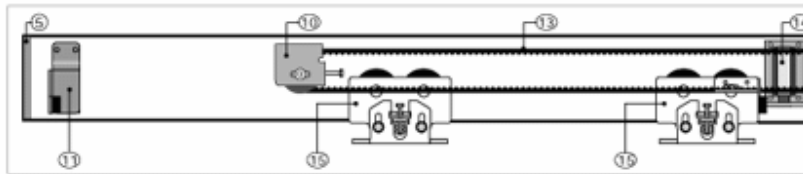
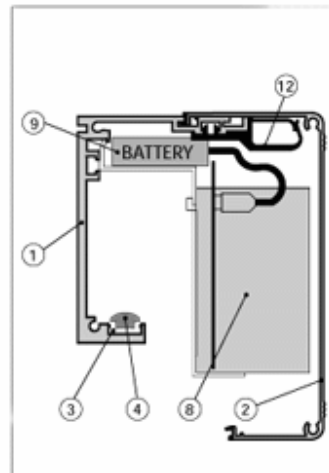
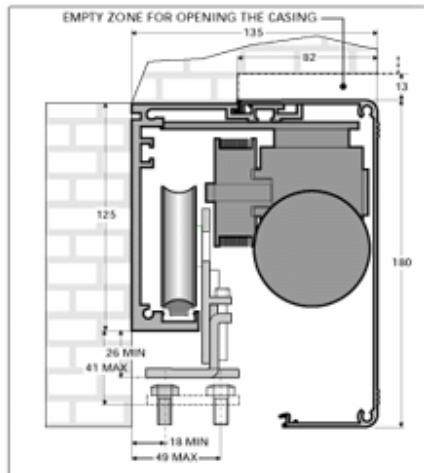
Autoswing door operators and sliding door operators can be retrofitted to new or existing applications of most manufacturers of doors. This provides an economical solution to accommodating the new reforms to the Disabled Act 1995. In addition, Bi-Fold Rolfe welcomes service contracts for maintenance on all makes of existing automatic doors.

Articulated Push Arm



BI-FOLD ROLFE LTD
Industrial Door Specialist

UNIT 4, CALCOT MOUNT, CALCOT LANE, CURDRIDGE, HAMPSHIRE SO32 2BN
Tel: (01489) 780099 Fax: (01489) 780090
E-Mail: sales@bifoldrolfe.com www.bifoldrolfe.com



① ALUMINIUM TRANSOM	⑨ BATTERY
② ALUMINIUM COVER	⑩ TRANSMISSION PULLEY
③ SOUNDPROOFING POLYZENE GUIDE	⑪ BRAKING PAD
④ ALUMINIUM TRACK	⑫ CORE HITCH
⑤ SIDE PANELS	⑬ TIMING BELT
⑥ GEARED MOTOR	⑭ ELECTRO-LOCK WITH MANUAL EMERGENCY RELEASE
⑦ ENCODER	⑮ CARRIAGES
⑧ ELECTRONIC EQUIPMENT WITH TRANSFORMER	

5

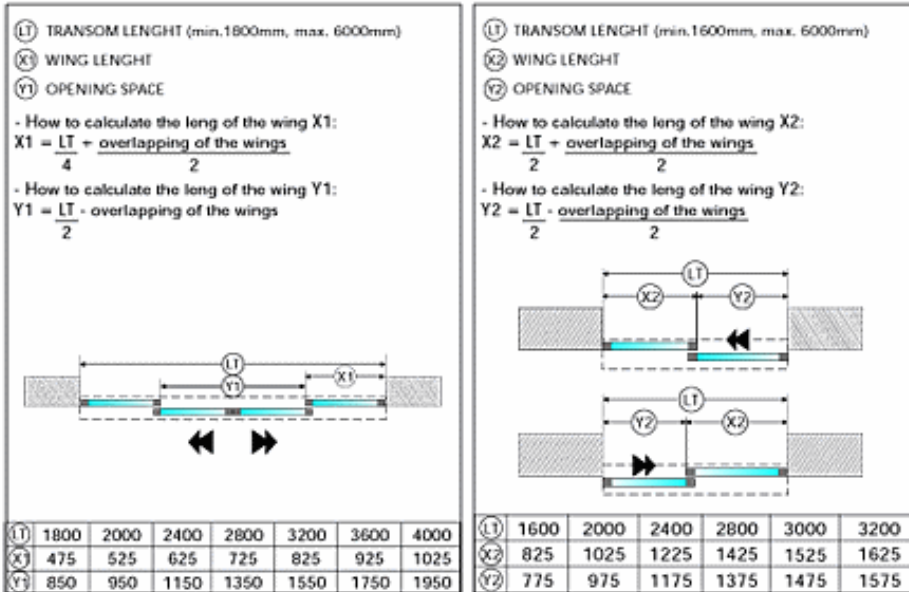


BI-FOLD ROLFE LTD
Industrial Door Specialist

UNIT 4, CALCOT MOUNT, CALCOT LANE, CURDRIDGE, HAMPSHIRE SO32 2BN
Tel: (01489) 780099 Fax: (01489) 780090
E-Mail: sales@bifoldrolfe.com www.bifoldrolfe.com

3 - WING SIZES AND STANDARD REFERENCES

To allow the door to operate correctly, you are advised to comply with the center distance measurements of the carriages and the distance of these latter from the end of the frame as shown in the following figures (Fig.6). Also bear figures 1, 2, 3 and 4 in mind in relation to the standards governing the distances to maintain for the safety sides.



The quota on the figure are in respect of the profiles that are 50 mm large.

FIG.1

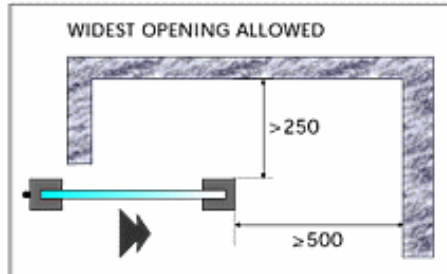
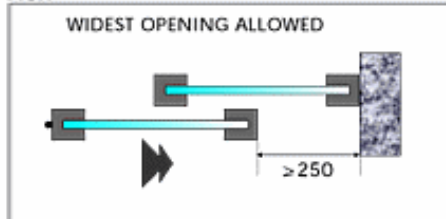


FIG.3

FIG.2

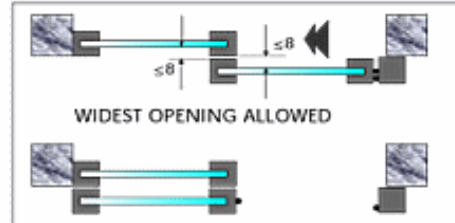
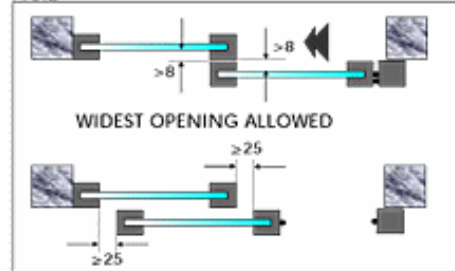


FIG.4



BI-FOLD ROLFE LTD
Industrial Door Specialist

UNIT 4, CALCOT MOUNT, CALCOT LANE, CURDRIDGE, HAMPSHIRE SO32 2BN
Tel: (01489) 780099 Fax: (01489) 780090
E-Mail: sales@bifoldrolfe.com www.bifoldrolfe.com