



Fire Shutters

Flame 50

Product code **BFR FLAME50**

All our fire shutters are manufactured and produced in accordance with the parameters and technical respects indicated within the specification that was submitted to the Warrington Fire Research Establishment.

The shutters are constructed to Warrington Fire Research Centre WARRES No. 145904; the test is in accordance with clause 8 of BS476 part 22:1987

Specifications:- Flame 50

Release Mechanisms:

Fire relay and keyswitch (requires maintained supply - battery backup needed if no maintained supply) fire relay, keyswitch and fusible link (requires maintained supply - battery backup needed if no maintained supply), fusible link if no fire alarm.

Curtains:

Constructed from a 50mm flat steel scroll laths interlocked with steel end locks and galvanized as standard.

Barrel:

Manufactured from mild steel tube, tube size varies based on the overall width and height of the curtain and the gauge of laths. The tube wall thickness varies dependant on the width of the shutter, the barrels are mounted on bright steel shafts varying from 18mm to 30mm dependant on the overall size of the shutter and the shafts have mild steel bearing blocks at non-geared end and tubular motor at the geared end.

Guides:

Constructed from 50mm straight channel powder coated guide mounted on 50mm x 50mm powder coated mild steel angle (minimum).

Hood:

Formed from 20sg steel sheet with the top leg slotted for expansion. Dependant on the fire rating of the shutter (i.e. one hour / two hour) and the size of the opening, the shutter could require a hood support bracket.

Finish:

Galvanized with optional polyester powder coating finished to our standard range of RAL/ BS colours.

Operation:

Electrically operated single phase

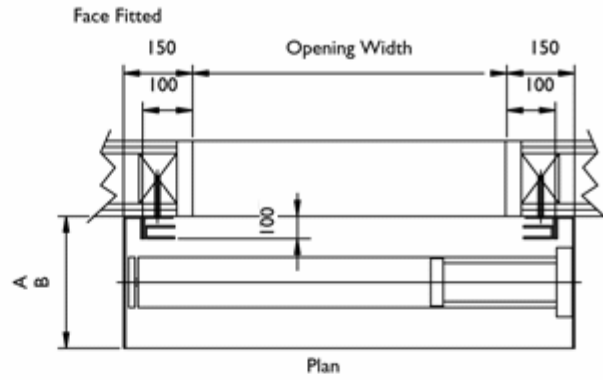
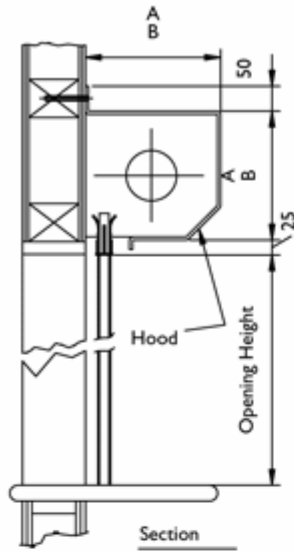
Thursday, 02 May 2013 datasheet-fire-shutters-bfr-flame50

BI-FOLD ROLFE LTD - Industrial Door Specialist

Unit 4, Calcot Mount, Calcot Lane, Curdridge, Hampshire S032 2BN

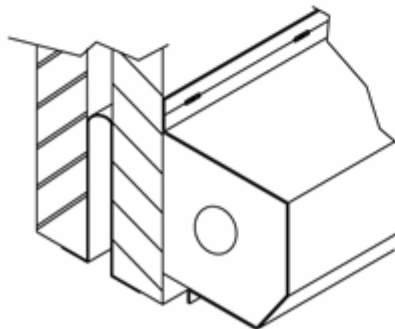
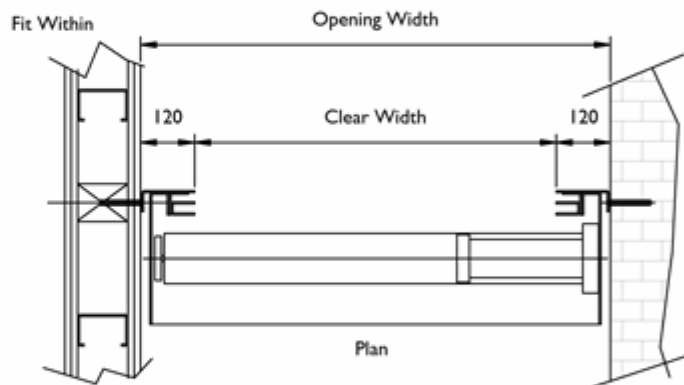
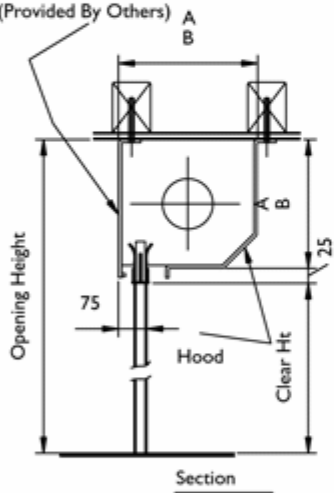
E-Mail: sales@bifoldrolfe.com **Website:** www.bifoldrolfe.com **Tel:** (01489) 780099 **Fax:** (01489) 780090

Door Weight 30Kg/sq.metre



UP TO 2900mm OVERALL HEIGHT DIM. 'A' = 305mm
 OVER 2900mm & UP TO 3850mm DIM 'B' = 350mm
 NOTE: FOR OPENINGS OVER 3500mm WIDE ADD
 15mm TO ALL SIDEROOM DIMENSIONS SHOWN

Fire Rated Fascia Panel
 (Provided By Others)



Isometric view showing elongated
 slots for fixing hood

Minimum width available is 800mm
 overall endplates

