



Security Bar / Grilles

Perforated Lath Grille Shutters

Product code BFR PERF

To compliment the solid lath and open lath shutters, the perforated lath version is proving to be a most popular style for light and vision.

It is ideal for most applications where security and protection against vandalism are principle considerations, whilst allowing both vision and ventilation.

Specifications:- Perforated Lath Grille Shutters

The basic finish is standard galvanised steel, whilst numerous colour options are available in the powder coated alternative.

The perforated lath shutter incorporates the following standard Safeguard features:-

- Constructed from a well proven design of interlocking laths.
- Overlapping plastic end shoes for smooth operation.
- Incorporating a heavy duty bottom rail with integral finger rail.
- Comprehensive range of alternative locking devices.
- Individually sprung roller barrel for finger tip operation.
- Electrically operated alternative now available.

Self-coiling:

Up to 2500mm wide x 2500mm high. This push up door comes complete with central or bullet locks.

Manual hand chain:

Continuous link chain operating a 3 to 1 ratio gear system connected by 1/2 inch pitch drive chain.

Electric operation:

A selection of three phase and single phase motors available from 1/2 hp to 3 hp. Complete with rotary limits for setting door travel, emergency manual override in the event of power failure and safety interlock. All activated by up, down and stop push buttons as standard.

Barrel:

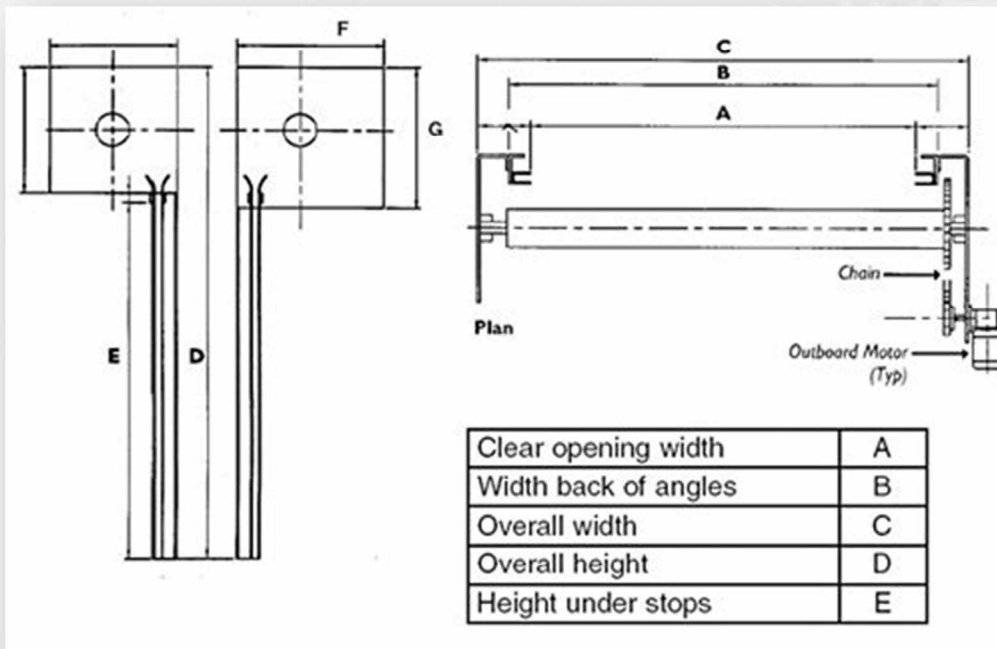
Constructed from 127mm O/D steel tube (generally) with helical counter balance spring for doors up to 8m wide x 6m high. Beyond this size, barrels are un sprung and complete with safety bearing.

Curtain:

Constructed of traditional 3" 75mm or 50mm traditional curly or flat lath. interlocking lath of various strengths depending on application 18/20/22 gauge and retained by pressed steel/nylon end locks.

Guide Assembly:

Standard guide channels 75mm x32mm x 3mm galvanised finish bolted to 75 x 50 backing angle provided with doors up to 4500mm wide. All doors above this width are complete with 65 mm wind lock system.



Door Height	END PLATE SIZE	
	F	G
0mm to 3510mm	350mm	350mm
3510mm to 4400mm	400mm	400mm
440mm to 5500mm	450mm	450mm

For doors outside these sizes please contact our technical department.