



Security Shutter Doors

Product code **BFR CON/38/44 - Built In**

Our modern built-in system offers high levels of security by night, yet disappears during the day. With the shutter housing and guides designed to fit unobtrusively into the wall, the system is not visible when not in use - and the architectural look and design of the new buildings remains unspoilt.

With the development of this system and its increasing popularity among architects and their clients, it surely heralds the end of the unsightly traditional shutter, once so common on commercial developments, offices, schools, medical centres and factory units.

Specifications:- Security Shutters - Built In

Shutter Housing:

The shutter housing is of PVC honeycomb construction for strength and maximum insulation. This modular system has die-cast aluminium plates to carry the weight required for each shutter. The internal fascia panel is attached by a snug fit clip design for draught proofing.

Guide Channel:

Constructed from extruded aluminium with an internal box section for strength and installation complete with nylon brush seals for smooth operation.

Shutter Curtain:

38mm double skin extruded aluminium non-vented lath with lateral movement contained by nylon ends with a bottom rail and weather seal to suit. Alternatively vented or non-vented foam filled lath can be used.

Electrical Operation:

The operation is by one of the following - Single Phase Tubular Motors 240V, Rod Crank or Spring Assisted. All motors are supplied by Ellard, a world leader in shutter automation.

Electrical Optional Extras:


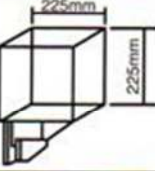
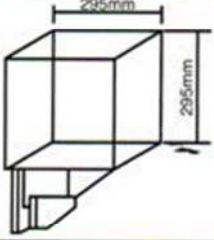
Key Switch, Rocker Switch, Key Pad, Remote Control, Group Commands.

Finish Options:

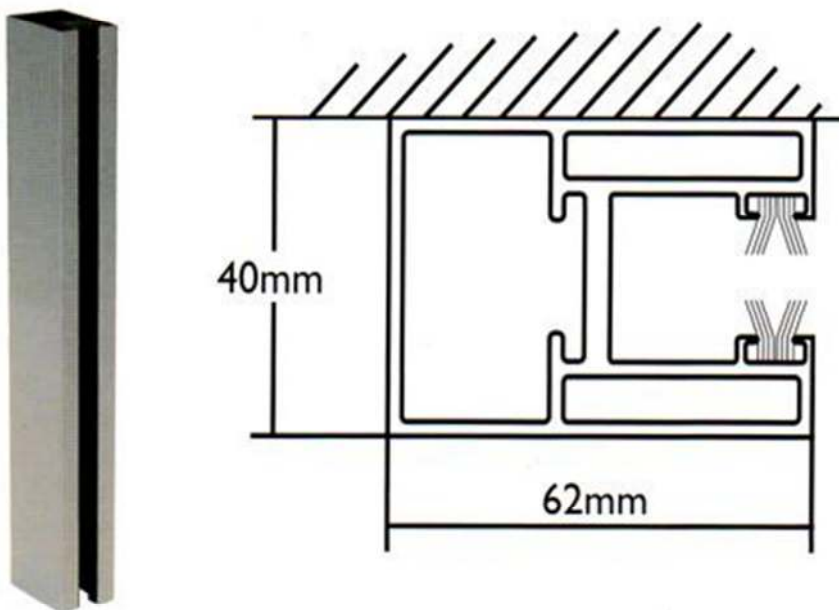
Our standard curtain and guide colours are white or brown. However, the curtain and guide sections can be powder coated to any BS or RAL colour you may require to compliment your specific design.

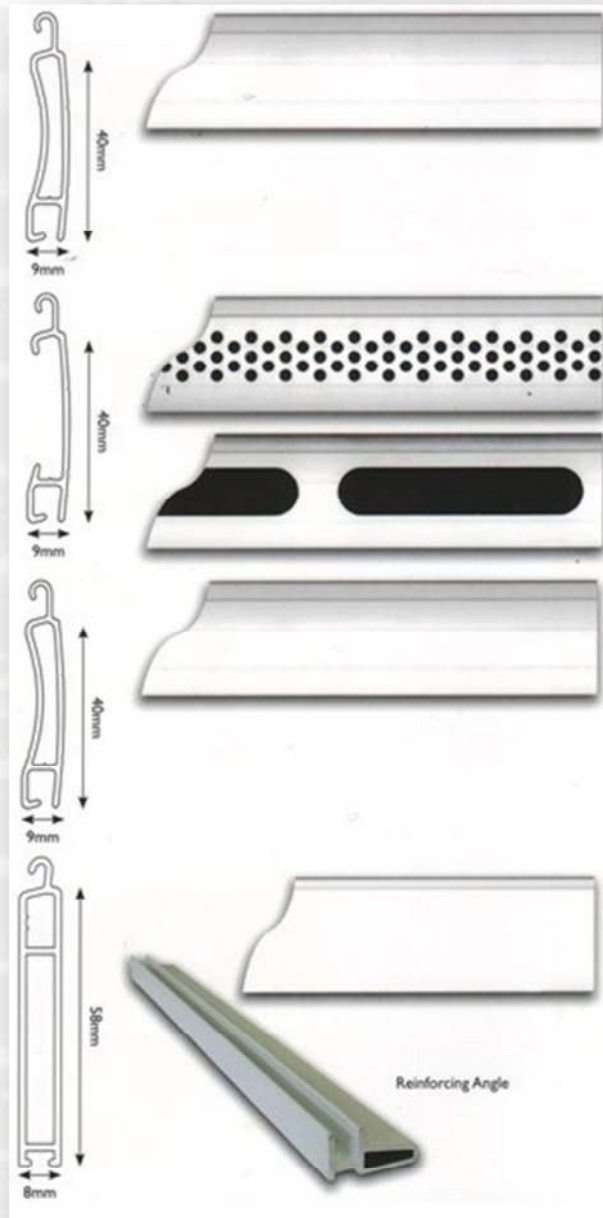
Technical Points Of Note:

Electrical security shutters have a minimum width of 620mm (or 780mm with a manual override). Spring assisted shutters have a minimum width of 800mm (depending on shutter height).

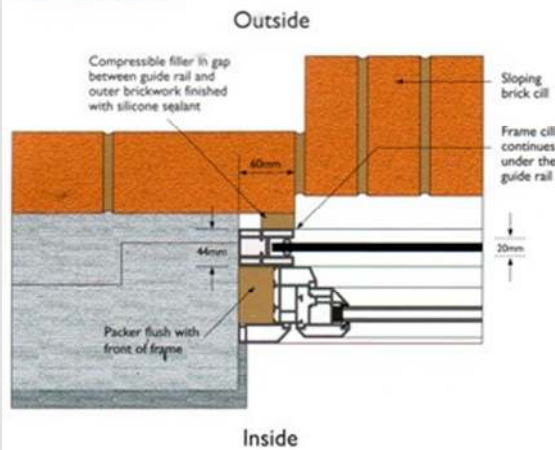
TECHNICAL SPECIFICATION	
SHUTTER BOX HOUSING SIDE VIEW	MAX. APERTURE HEIGHT FOR EACH BOX (UNDERSIDE OF BOX)
	1850mm
	2500mm
	3800mm

GUIDE DETAILS

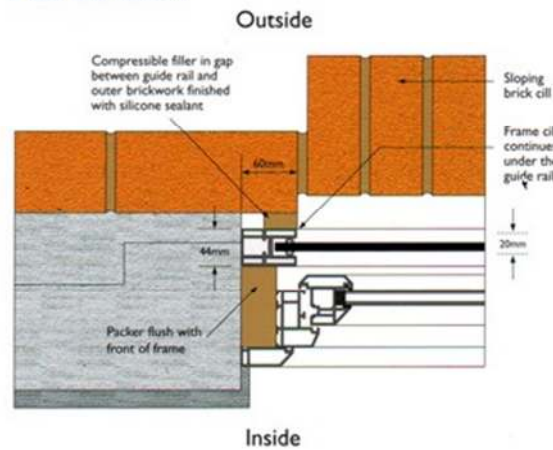




Internal Opening Window/Door Plan Elevation



External Opening Window/Door Plan Elevation



Friday, 02 November 2012 datasheet-security-shutter-doors-bfr-con-38-44-built-in

BI-FOLD ROLFE LTD - Industrial Door Specialist

Unit 4, Calcot Mount, Calcot Lane, Curdridge, Hampshire S032 2BN

E-Mail: sales@bifoldrolfe.com Website: www.bifoldrolfe.co.uk Tel: (01489) 780099 Fax: (01489) 780090

